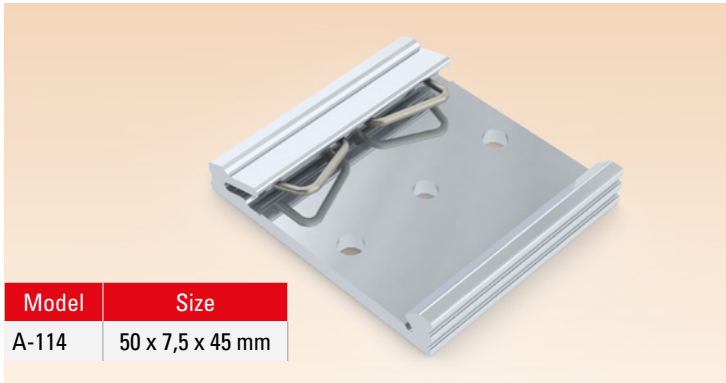


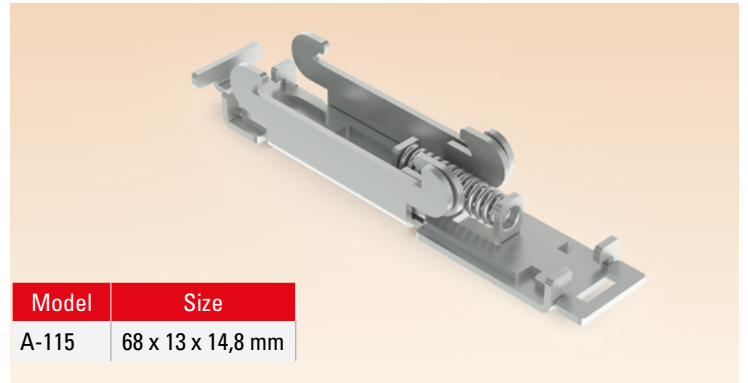
RAIL MOUNTING KITS



| Model | Size |
|-------|------------------|
| A-114 | 50 x 7,5 x 45 mm |

A-114

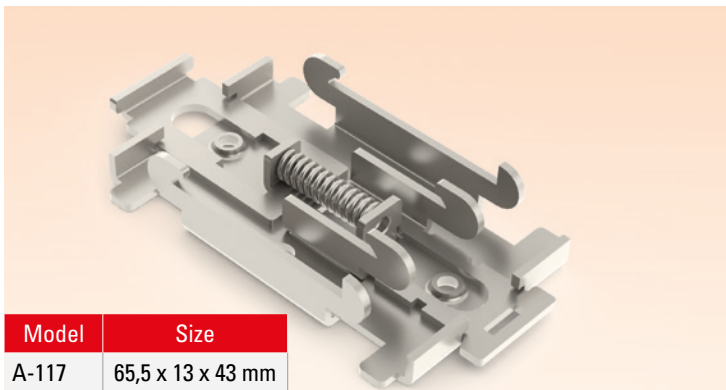
DIN RAIL MOUNTING KIT



| Model | Size |
|-------|-------------------|
| A-115 | 68 x 13 x 14,8 mm |

A-115

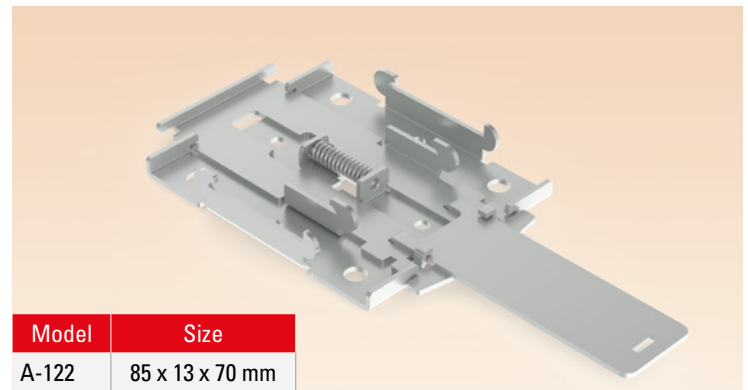
DIN RAIL MOUNTING KIT



| Model | Size |
|-------|-------------------|
| A-117 | 65,5 x 13 x 43 mm |

A-117

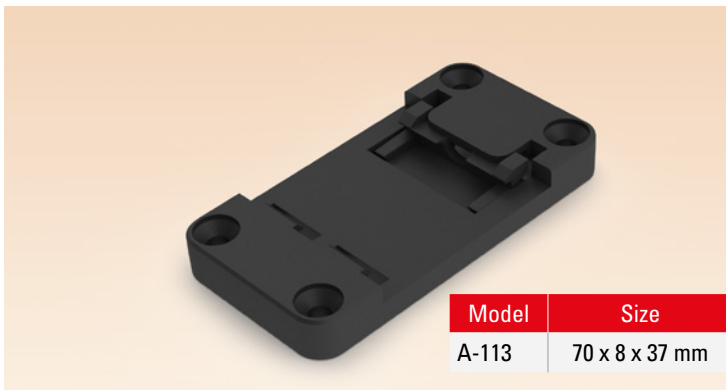
DIN RAIL MOUNTING KIT



| Model | Size |
|-------|-----------------|
| A-122 | 85 x 13 x 70 mm |

A-122

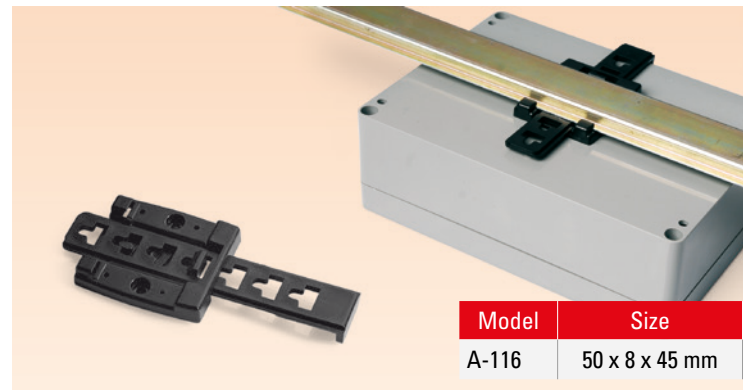
DIN RAIL MOUNTING KIT



| Model | Size |
|-------|----------------|
| A-113 | 70 x 8 x 37 mm |

A-113

DIN RAIL MOUNTING KIT



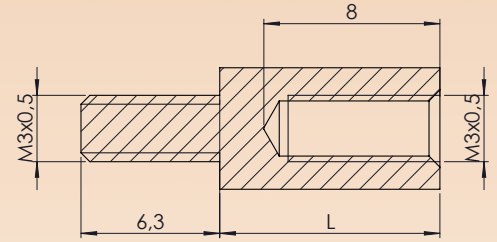
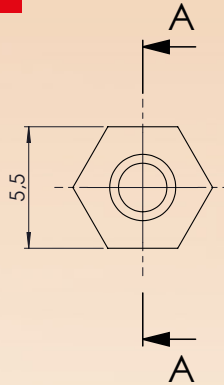
| Model | Size |
|-------|----------------|
| A-116 | 50 x 8 x 45 mm |

A-116

DIN RAIL MOUNTING KIT

MALE-FEMALE M3 PLASTIC SPACER

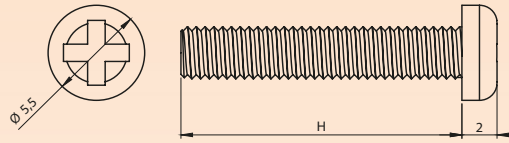
MATERIAL PA 6 GF15 UL94 V2
 COLOR NATURAL



SECTION A-A

| Code | L mm |
|------------|------|
| PS-1333-5 | 5 |
| PS-1333-10 | 10 |
| PS-1333-15 | 15 |
| PS-1333-20 | 20 |

• CONTACT US IN CASE OF NEED FOR DIFFERENT SIZES

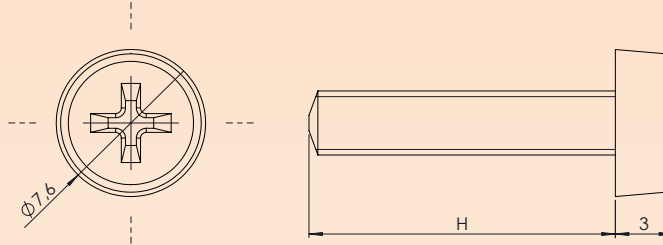


- Made of Polyacetal (POM) material
- Star Head
- Sizes between M3 6-16mm

| Code | Nut |
|--------|--------|
| PN-300 | M3 NUT |

| Code | H (mm) | Screw |
|--------|--------|-------------------|
| PS-306 | 6 | 6 mm Pan Head M3 |
| PS-308 | 8 | 8 mm Pan Head M3 |
| PS-310 | 10 | 10 mm Pan Head M3 |
| PS-312 | 12 | 12 mm Pan Head M3 |
| PS-316 | 16 | 16 mm Pan Head M3 |

PLASTIC SCREWS AND NUTS



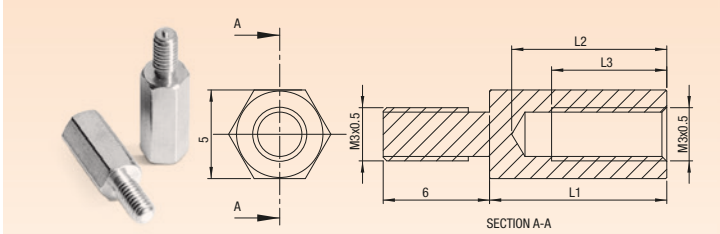
- PA6 GF15 UL94 V2 Material
- Star Head
- Sizes between M4 6-25mm
- Natural Colort

| Code | Nut |
|--------|--------|
| PN-400 | M4 NUT |

| Code | H (mm) | Screw |
|-----------|--------|-------------------|
| PS-401-6 | 6 | 6 mm Pan Head M4 |
| PS-401-8 | 8 | 8 mm Pan Head M4 |
| PS-401-10 | 10 | 10 mm Pan Head M4 |
| PS-401-12 | 12 | 12 mm Pan Head M4 |
| PS-401-14 | 14 | 14 mm Pan Head M4 |
| PS-401-16 | 16 | 16 mm Pan Head M4 |
| PS-401-20 | 20 | 20 mm Pan Head M4 |
| PS-401-25 | 25 | 25 mm Pan Head M4 |

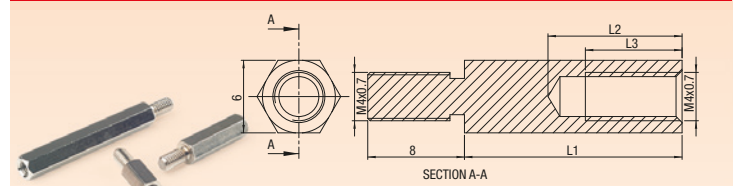
PLASTIC SCREWS AND NUTS

MALE-FEMALE M3 BRASS SPACERS



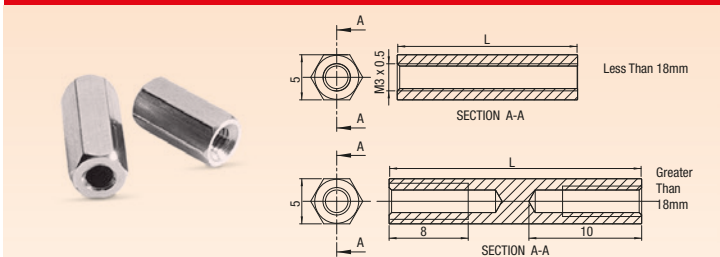
| Code | L1 | L2 | L3 | Pack | Code | L1 | L2 | L3 | Pack |
|--------|----|-----|-----|------|--------|----|----|----|------|
| YP-505 | 5 | 4,5 | 3,5 | 50 | YP-516 | 16 | 12 | 8 | 50 |
| YP-506 | 6 | 5,5 | 4 | 50 | YP-517 | 17 | 12 | 8 | 50 |
| YP-507 | 7 | 6,5 | 5,5 | 50 | YP-518 | 18 | 12 | 8 | 50 |
| YP-508 | 8 | 7,5 | 6,5 | 50 | YP-519 | 19 | 12 | 8 | 50 |
| YP-509 | 9 | 8,5 | 7,5 | 50 | YP-520 | 20 | 12 | 8 | 50 |
| YP-510 | 10 | 9,5 | 8 | 50 | YP-525 | 25 | 12 | 8 | 50 |
| YP-511 | 11 | 10 | 8 | 50 | YP-530 | 30 | 12 | 8 | 50 |
| YP-512 | 12 | 11 | 8 | 50 | YP-535 | 35 | 12 | 8 | 50 |
| YP-513 | 13 | 12 | 8 | 50 | YP-540 | 40 | 12 | 8 | 50 |
| YP-514 | 14 | 12 | 8 | 50 | YP-545 | 45 | 12 | 8 | 50 |
| YP-515 | 15 | 12 | 8 | 50 | YP-550 | 50 | 12 | 8 | 50 |

MALE-FEMALE M4 BRASS SPACERS



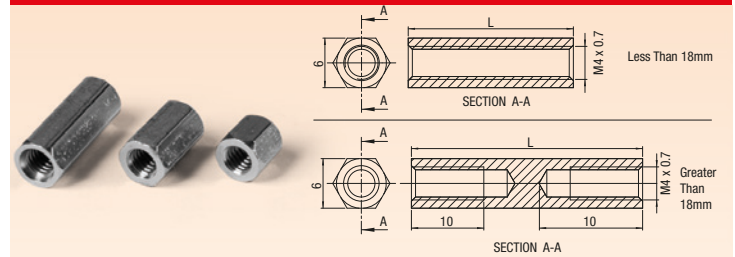
| Code | L1 | L2 | L3 | Pack | Code | L1 | L2 | L3 | Pack |
|---------|----|------|----|------|---------|----|----|----|------|
| YP-4106 | 6 | 5,3 | 4 | 50 | YP-4117 | 17 | 12 | 10 | 50 |
| YP-4107 | 7 | 6,3 | 5 | 50 | YP-4118 | 18 | 12 | 10 | 50 |
| YP-4108 | 8 | 7,3 | 6 | 50 | YP-4119 | 19 | 12 | 10 | 50 |
| YP-4109 | 9 | 8,3 | 7 | 50 | YP-4120 | 20 | 12 | 10 | 50 |
| YP-4110 | 10 | 9,3 | 8 | 50 | YP-4125 | 25 | 12 | 10 | 50 |
| YP-4111 | 11 | 10,3 | 8 | 50 | YP-4130 | 30 | 12 | 10 | 50 |
| YP-4112 | 12 | 10,8 | 10 | 50 | YP-4135 | 35 | 12 | 10 | 50 |
| YP-4113 | 13 | 12 | 10 | 50 | YP-4140 | 40 | 12 | 10 | 50 |
| YP-4114 | 14 | 12 | 10 | 50 | YP-4146 | 46 | 12 | 10 | 50 |
| YP-4115 | 15 | 12 | 10 | 50 | YP-4163 | 63 | 12 | 10 | 50 |
| YP-4116 | 16 | 12 | 10 | 50 | | | | | |

FEMALE-FEMALE M3 BRASS SPACERS



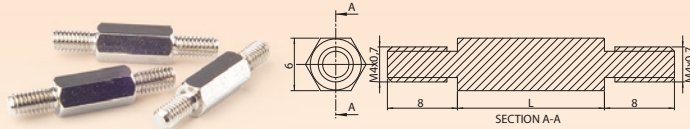
| Code | L | Pack | Code | L | Pack |
|--------|----|------|--------|----|------|
| YP-405 | 5 | 50 | YP-416 | 16 | 50 |
| YP-406 | 6 | 50 | YP-417 | 17 | 50 |
| YP-407 | 7 | 50 | YP-418 | 18 | 50 |
| YP-408 | 8 | 50 | YP-419 | 19 | 50 |
| YP-409 | 9 | 50 | YP-420 | 20 | 50 |
| YP-410 | 10 | 50 | YP-425 | 25 | 50 |
| YP-411 | 11 | 50 | YP-426 | 26 | 50 |
| YP-412 | 12 | 50 | YP-430 | 30 | 50 |
| YP-413 | 13 | 50 | YP-436 | 36 | 50 |
| YP-414 | 14 | 50 | YP-440 | 40 | 50 |
| YP-415 | 15 | 50 | | | |

FEMALE-FEMALE M4 BRASS SPACERS



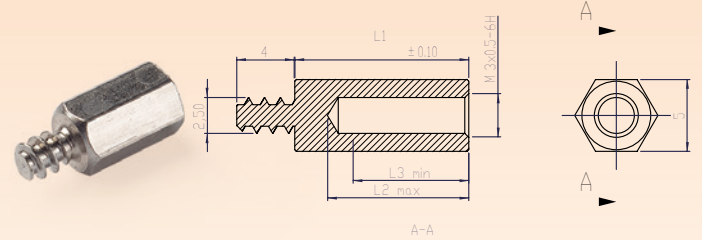
| Code | L | Pack | Code | L | Pack |
|---------|----|------|---------|----|------|
| YP-4005 | 5 | 50 | YP-4016 | 16 | 50 |
| YP-4006 | 6 | 50 | YP-4017 | 17 | 50 |
| YP-4007 | 7 | 50 | YP-4018 | 18 | 50 |
| YP-4008 | 8 | 50 | YP-4019 | 19 | 50 |
| YP-4009 | 9 | 50 | YP-4020 | 20 | 50 |
| YP-4010 | 10 | 50 | YP-4025 | 25 | 50 |
| YP-4011 | 11 | 50 | YP-4026 | 26 | 50 |
| YP-4012 | 12 | 50 | YP-4030 | 30 | 50 |
| YP-4013 | 13 | 50 | YP-4036 | 36 | 50 |
| YP-4014 | 14 | 50 | YP-4040 | 40 | 50 |
| YP-4015 | 15 | 50 | | | |

MALE-MALE M4 BRASS SPACERS



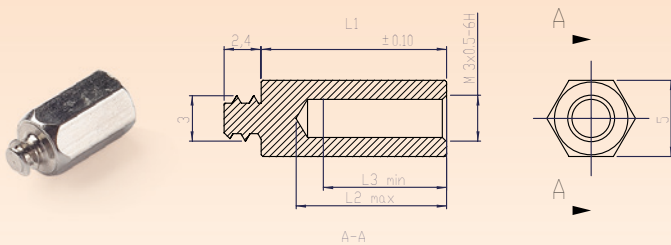
| Code | L | Pack | Code | L | Pack |
|---------|----|------|---------|----|------|
| YP-4205 | 5 | 50 | YP-4215 | 15 | 50 |
| YP-4206 | 6 | 50 | YP-4216 | 16 | 50 |
| YP-4207 | 7 | 50 | YP-4217 | 17 | 50 |
| YP-4208 | 8 | 50 | YP-4218 | 18 | 50 |
| YP-4209 | 9 | 50 | YP-4219 | 19 | 50 |
| YP-4210 | 10 | 50 | YP-4220 | 20 | 50 |
| YP-4211 | 11 | 50 | YP-4225 | 25 | 50 |
| YP-4212 | 12 | 50 | YP-4230 | 30 | 50 |
| YP-4213 | 13 | 50 | YP-4235 | 35 | 50 |
| YP-4214 | 14 | 50 | YP-4240 | 40 | 50 |

MALE-FEMALE PLASTIC THREADED SPACERS



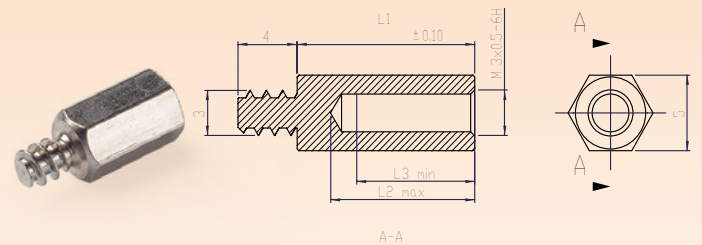
| Code | L1 | L2 | L3 | Pack |
|---------|----|-----|-----|------|
| YP-3205 | 5 | 4,5 | 3,5 | 50 |
| YP-3206 | 6 | 5,5 | 5 | 50 |
| YP-3207 | 7 | 6,5 | 6 | 50 |
| YP-3208 | 8 | 7,5 | 7 | 50 |
| YP-3209 | 9 | 8,5 | 7,5 | 50 |
| YP-3210 | 10 | 9,5 | 8 | 50 |
| YP-3211 | 11 | 10 | 8 | 50 |
| YP-3212 | 12 | 11 | 8 | 50 |

MALE-FEMALE PLASTIC THREADED SPACERS



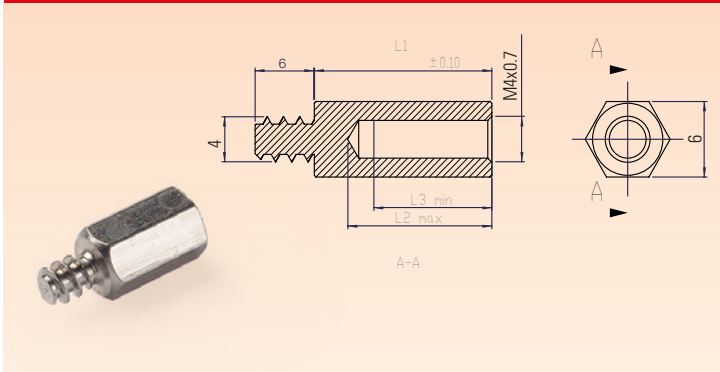
| Code | L1 | L2 | L3 | Pack |
|---------|----|-----|-----|------|
| YP-3305 | 5 | 4,5 | 3,5 | 50 |
| YP-3306 | 6 | 5,5 | 5 | 50 |
| YP-3307 | 7 | 6,5 | 6 | 50 |
| YP-3308 | 8 | 7,5 | 7 | 50 |
| YP-3309 | 9 | 8,5 | 7,5 | 50 |
| YP-3310 | 10 | 9,5 | 8 | 50 |
| YP-3311 | 11 | 10 | 8 | 50 |
| YP-3312 | 12 | 11 | 8 | 50 |

MALE-FEMALE PLASTIC THREADED SPACERS



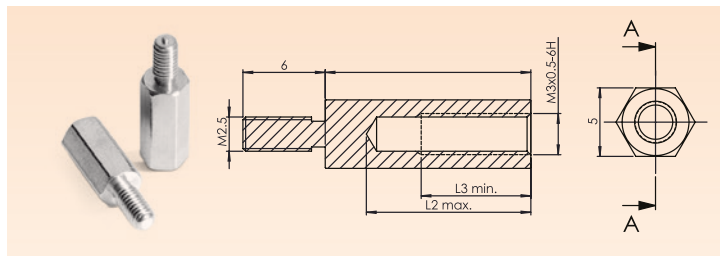
| Code | L1 | L2 | L3 | Pack | Code | L1 | L2 | L3 | Pack |
|---------|----|-----|-----|------|---------|----|----|----|------|
| YP-3405 | 5 | 4,5 | 3,5 | 50 | YP-3416 | 5 | 11 | 8 | 50 |
| YP-3406 | 6 | 5,5 | 5 | 50 | YP-3417 | 6 | 11 | 8 | 50 |
| YP-3407 | 7 | 6,5 | 6 | 50 | YP-3418 | 7 | 11 | 8 | 50 |
| YP-3408 | 8 | 7,5 | 7 | 50 | YP-3419 | 8 | 11 | 8 | 50 |
| YP-3409 | 9 | 8,5 | 7,5 | 50 | YP-3420 | 9 | 11 | 8 | 50 |
| YP-3410 | 10 | 9,5 | 8 | 50 | YP-3421 | 10 | 11 | 8 | 50 |
| YP-3411 | 11 | 10 | 8 | 50 | YP-3422 | 11 | 11 | 8 | 50 |
| YP-3412 | 12 | 11 | 8 | 50 | YP-3423 | 12 | 11 | 8 | 50 |
| YP-3413 | 5 | 11 | 8 | 50 | YP-3424 | 5 | 11 | 8 | 50 |
| YP-3414 | 6 | 11 | 8 | 50 | YP-3425 | 6 | 11 | 8 | 50 |
| YP-3415 | 7 | 11 | 8 | 50 | | | | | |

MALE-FEMALE PLASTIC THREADED SPACERS



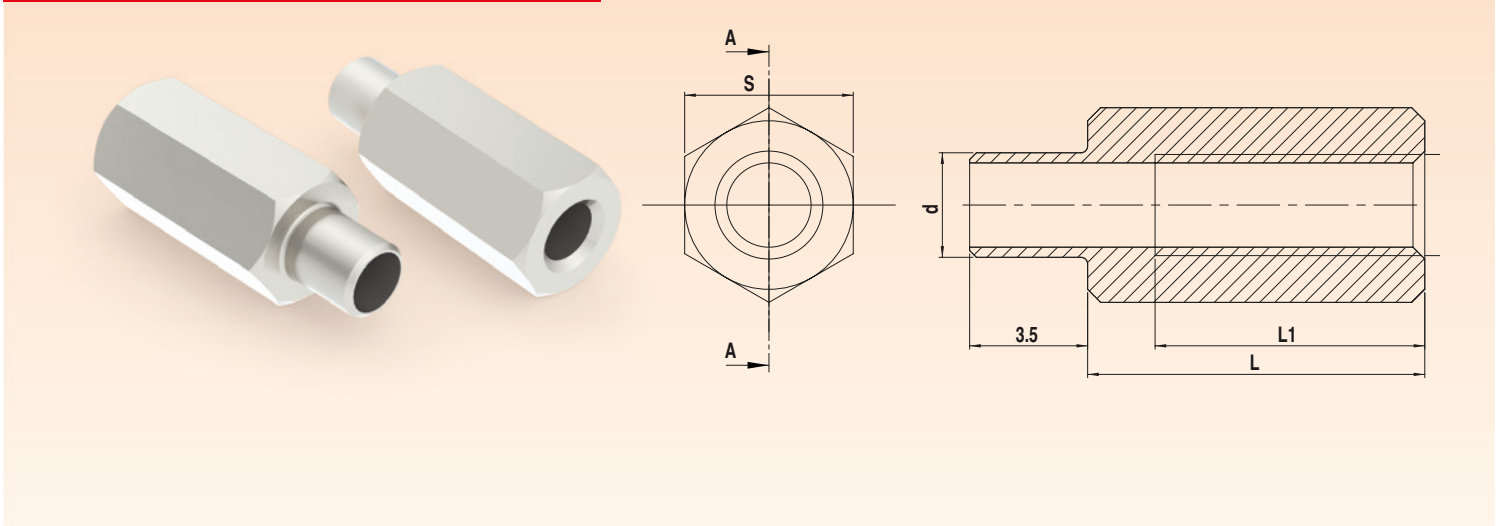
| Code | L1 | L2 | L3 | Pack | Code | L1 | L2 | L3 | Pack |
|---------|----|-----|-----|------|---------|----|----|----|------|
| YP-4405 | 5 | 4,5 | 3,5 | 50 | YP-4416 | 5 | 11 | 8 | 50 |
| YP-4406 | 6 | 5,5 | 5 | 50 | YP-4417 | 6 | 11 | 8 | 50 |
| YP-4407 | 7 | 6,5 | 6 | 50 | YP-4418 | 7 | 11 | 8 | 50 |
| YP-4408 | 8 | 7,5 | 7 | 50 | YP-4419 | 8 | 11 | 8 | 50 |
| YP-4409 | 9 | 8,5 | 7,5 | 50 | YP-4420 | 9 | 11 | 8 | 50 |
| YP-4410 | 10 | 9,5 | 8 | 50 | YP-4421 | 10 | 11 | 8 | 50 |
| YP-4411 | 11 | 10 | 8 | 50 | YP-4422 | 11 | 11 | 8 | 50 |
| YP-4412 | 12 | 11 | 8 | 50 | YP-4423 | 12 | 11 | 8 | 50 |
| YP-4413 | 5 | 11 | 8 | 50 | YP-4424 | 5 | 11 | 8 | 50 |
| YP-4414 | 6 | 11 | 8 | 50 | YP-4425 | 6 | 11 | 8 | 50 |
| YP-4415 | 7 | 11 | 8 | 50 | | | | | |

MALE M2.5-FEMALE M3 BRASS SPACERS



| Code | L1 | L2 | L3 | Pack | Code | L1 | L2 | L3 | Pack |
|---------|----|-----|-----|------|---------|----|----|----|------|
| YP-3504 | 4 | 3,5 | 3 | 50 | YP-3513 | 13 | 12 | 8 | 50 |
| YP-3505 | 5 | 4,5 | 3,5 | 50 | YP-3514 | 14 | 12 | 8 | 50 |
| YP-3506 | 6 | 5,5 | 4 | 50 | YP-3515 | 15 | 12 | 8 | 50 |
| YP-3507 | 7 | 6,5 | 5 | 50 | YP-3516 | 16 | 12 | 8 | 50 |
| YP-3508 | 8 | 7,5 | 6 | 50 | YP-3517 | 17 | 12 | 8 | 50 |
| YP-3509 | 9 | 8,5 | 7,5 | 50 | YP-3518 | 18 | 12 | 8 | 50 |
| YP-3510 | 10 | 9,5 | 8 | 50 | YP-3519 | 19 | 12 | 8 | 50 |
| YP-3511 | 11 | 10 | 8 | 50 | YP-3520 | 20 | 12 | 8 | 50 |
| YP-3512 | 12 | 11 | 8 | 50 | | | | | |

SPACERS SOLDERED TO PCB



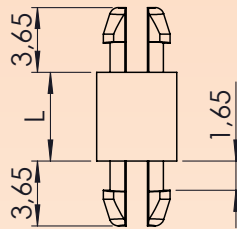
- TIN-COATED SOLDERABLE
- CONNECTED TO THE PCB CARD BY SOLDERING
- CAN BE USED FOR MECHANICAL AND ELECTRICAL CONNECTION

| Code | L | L1 | d | S | Code | L | L1 | d | S |
|-----------|----|----|-----|---|-----------|----|----|-----|---|
| YP-035-5 | 5 | 8 | 3,1 | 5 | YP-035-11 | 11 | 8 | 3,1 | 5 |
| YP-035-6 | 6 | 8 | 3,1 | 5 | YP-035-12 | 12 | 8 | 3,1 | 5 |
| YP-035-7 | 7 | 8 | 3,1 | 5 | YP-035-13 | 13 | 8 | 3,1 | 5 |
| YP-035-8 | 8 | 8 | 3,1 | 5 | YP-035-14 | 14 | 8 | 3,1 | 5 |
| YP-035-9 | 9 | 8 | 3,1 | 5 | YP-035-15 | 15 | 8 | 3,1 | 5 |
| YP-035-10 | 10 | 8 | 3,1 | 5 | | | | | |

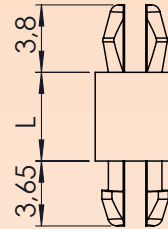
INTERLACED SPACERS



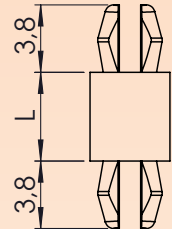
Top / Bottom Hole Dia 3,20 mm
Panel Thickness 1,60 mm



Type A
YP-1132-xx
Double side locked spacer



Type B
YP-1232-xx
One side locked spacer



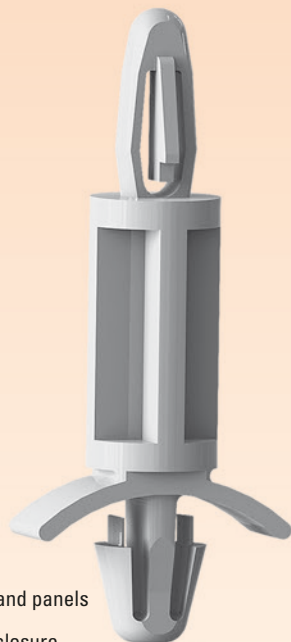
Type C
YP-1332-xx
Double side lockless spacer

| | |
|------------------------------|--------------------------------|
| Material | PA6 GF15 UL94 V2 |
| Color | Natural |
| Top / Bottom Panel Thickness | min : 1,57 mm max : 1,65 mm |
| Top / Bottom Hole Dia | 3,20 mm |

| Code | H (mm) | Top / Bottom Hole Dia (mm) | Panel Thickness(mm) | Type |
|------------|--------|----------------------------|---------------------|------|
| YP-1132-05 | 5 | 3,20 | 1,60 | A |
| YP-1132-10 | 10 | 3,20 | 1,60 | A |
| YP-1132-15 | 15 | 3,20 | 1,60 | A |
| YP-1132-20 | 20 | 3,20 | 1,60 | A |
| YP-1232-05 | 5 | 3,20 | 1,60 | B |
| YP-1232-10 | 10 | 3,20 | 1,60 | B |
| YP-1232-15 | 15 | 3,20 | 1,60 | B |
| YP-1232-20 | 20 | 3,20 | 1,60 | B |
| YP-1332-05 | 5 | 3,20 | 1,60 | C |
| YP-1332-10 | 10 | 3,20 | 1,60 | C |
| YP-1332-15 | 15 | 3,20 | 1,60 | C |
| YP-1332-20 | 20 | 3,20 | 1,60 | C |

PLASTIC STRINGED DISTANCES

MATERIAL PA 66
COLOR NATURAL



- Easy mounting in sheet metal enclosures and panels
- Fastens the mounting
- Electrically insulates the PCB from the enclosure
- PCB can be easily detached by special lock mechanism

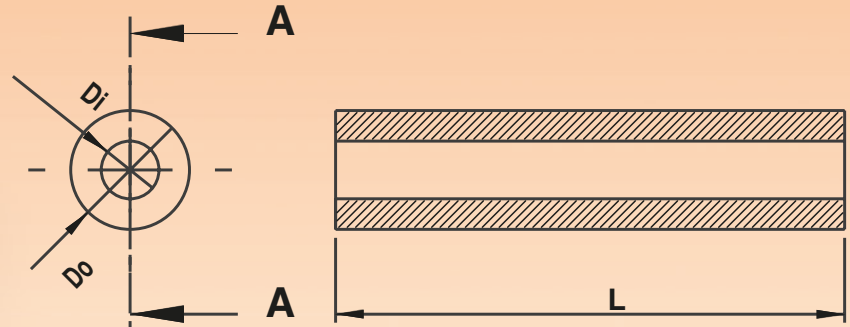
Upper Hole : 4 ± 0.08 mm
Panel Thickness: 2 mm max.



Bottom Hole : 4.75 ± 0.08
Sheet Thickness : 0,8 - 2,0 mm

| Code | B mm |
|--------|------|
| YP-805 | 4,75 |
| YP-810 | 9,53 |
| YP-816 | 15,9 |
| YP-822 | 22,2 |

PLASTIC SPACERS

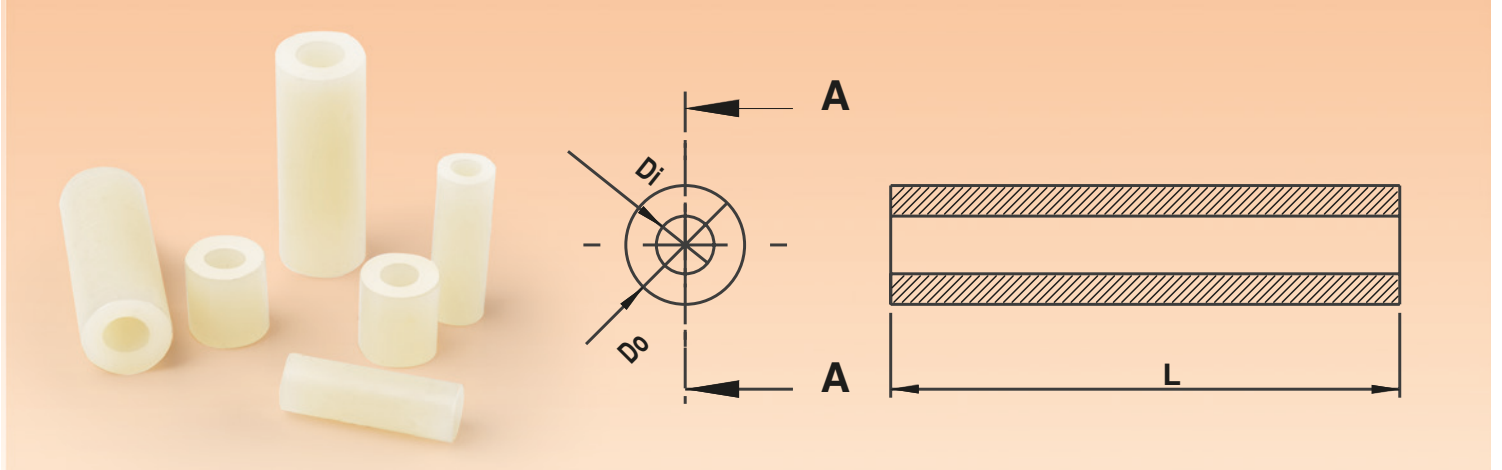


| Code | Material | Di | Do | L |
|--------|----------|-----|----|----|
| YP-605 | PA6 | 2,5 | 5 | 5 |
| YP-606 | PA6 | 2,5 | 5 | 6 |
| YP-607 | PA6 | 2,5 | 5 | 7 |
| YP-608 | PA6 | 2,5 | 5 | 8 |
| YP-609 | PA6 | 2,5 | 5 | 9 |
| YP-610 | PA6 | 2,5 | 5 | 10 |
| YP-611 | PA6 | 2,5 | 5 | 11 |
| YP-612 | PA6 | 2,5 | 5 | 12 |
| YP-613 | PA6 | 2,5 | 5 | 13 |
| YP-614 | PA6 | 2,5 | 5 | 14 |
| YP-615 | PA6 | 2,5 | 5 | 15 |
| YP-616 | PA6 | 2,5 | 5 | 16 |
| YP-617 | PA6 | 2,5 | 5 | 17 |
| YP-618 | PA6 | 2,5 | 5 | 18 |
| YP-619 | PA6 | 2,5 | 5 | 19 |
| YP-620 | PA6 | 2,5 | 5 | 20 |
| YP-621 | PA6 | 2,5 | 5 | 21 |
| YP-622 | PA6 | 2,5 | 5 | 22 |
| YP-623 | PA6 | 2,5 | 5 | 23 |
| YP-624 | PA6 | 2,5 | 5 | 24 |
| YP-625 | PA6 | 2,5 | 5 | 25 |
| YP-630 | PA6 | 2,5 | 5 | 30 |
| YP-635 | PA6 | 2,5 | 5 | 35 |
| YP-640 | PA6 | 2,5 | 5 | 40 |
| YP-645 | PA6 | 2,5 | 5 | 45 |
| YP-650 | PA6 | 2,5 | 5 | 50 |

| Code | Material | Di | Do | L |
|--------|----------|----|----|----|
| YP-701 | PA6 | 3 | 7 | 1 |
| YP-702 | PA6 | 3 | 7 | 2 |
| YP-703 | PA6 | 3 | 7 | 3 |
| YP-704 | PA6 | 3 | 7 | 4 |
| YP-705 | PA6 | 3 | 7 | 5 |
| YP-706 | PA6 | 3 | 7 | 6 |
| YP-708 | PA6 | 3 | 7 | 8 |
| YP-710 | PA6 | 3 | 7 | 10 |
| YP-712 | PA6 | 3 | 7 | 12 |
| YP-715 | PA6 | 3 | 7 | 15 |
| YP-720 | PA6 | 3 | 7 | 20 |
| YP-725 | PA6 | 3 | 7 | 25 |
| YP-730 | PA6 | 3 | 7 | 30 |
| YP-735 | PA6 | 3 | 7 | 35 |
| YP-740 | PA6 | 3 | 7 | 40 |
| YP-745 | PA6 | 3 | 7 | 45 |
| YP-750 | PA6 | 3 | 7 | 50 |

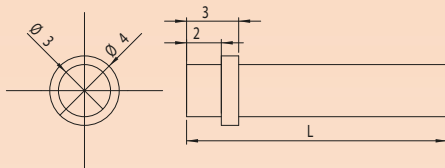
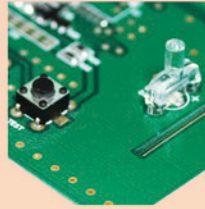
| Code | Material | Di | Do | L |
|--------|----------|-----|----|----|
| YP-905 | PA6 | 4,2 | 8 | 5 |
| YP-906 | PA6 | 4,2 | 8 | 6 |
| YP-907 | PA6 | 4,2 | 8 | 7 |
| YP-908 | PA6 | 4,2 | 8 | 8 |
| YP-909 | PA6 | 4,2 | 8 | 9 |
| YP-910 | PA6 | 4,2 | 8 | 10 |
| YP-911 | PA6 | 4,2 | 8 | 11 |
| YP-912 | PA6 | 4,2 | 8 | 12 |
| YP-913 | PA6 | 4,2 | 8 | 13 |
| YP-914 | PA6 | 4,2 | 8 | 14 |
| YP-915 | PA6 | 4,2 | 8 | 15 |
| YP-916 | PA6 | 4,2 | 8 | 16 |
| YP-917 | PA6 | 4,2 | 8 | 17 |
| YP-918 | PA6 | 4,2 | 8 | 18 |
| YP-919 | PA6 | 4,2 | 8 | 19 |
| YP-920 | PA6 | 4,2 | 8 | 20 |
| YP-921 | PA6 | 4,2 | 8 | 21 |
| YP-922 | PA6 | 4,2 | 8 | 22 |
| YP-923 | PA6 | 4,2 | 8 | 23 |
| YP-924 | PA6 | 4,2 | 8 | 24 |
| YP-925 | PA6 | 4,2 | 8 | 25 |
| YP-930 | PA6 | 4,2 | 8 | 30 |
| YP-935 | PA6 | 4,2 | 8 | 35 |
| YP-940 | PA6 | 4,2 | 8 | 40 |
| YP-945 | PA6 | 4,2 | 8 | 45 |
| YP-950 | PA6 | 4,2 | 8 | 50 |

PLASTIC SPACERS



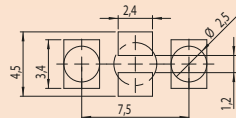
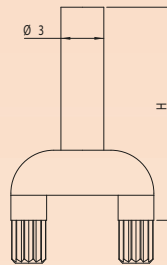
| Code | Material | Di | Do | L | Code | Material | Di | Do | L | Code | Material | Di | Do | L |
|---------|----------|-----|----|----|---------|----------|-----|----|----|---------|----------|-----|----|----|
| YP-5705 | PA6 | 5,3 | 8 | 5 | YP-6705 | PA6 | 6,3 | 10 | 5 | YP-8705 | PA6 | 8,3 | 12 | 5 |
| YP-5706 | PA6 | 5,3 | 8 | 6 | YP-6706 | PA6 | 6,3 | 10 | 6 | YP-8706 | PA6 | 8,3 | 12 | 6 |
| YP-5707 | PA6 | 5,3 | 8 | 7 | YP-6707 | PA6 | 6,3 | 10 | 7 | YP-8707 | PA6 | 8,3 | 12 | 7 |
| YP-5708 | PA6 | 5,3 | 8 | 8 | YP-6708 | PA6 | 6,3 | 10 | 8 | YP-8708 | PA6 | 8,3 | 12 | 8 |
| YP-5709 | PA6 | 5,3 | 8 | 9 | YP-6709 | PA6 | 6,3 | 10 | 9 | YP-8709 | PA6 | 8,3 | 12 | 9 |
| YP-5710 | PA6 | 5,3 | 8 | 10 | YP-6710 | PA6 | 6,3 | 10 | 10 | YP-8710 | PA6 | 8,3 | 12 | 10 |
| YP-5711 | PA6 | 5,3 | 8 | 11 | YP-6711 | PA6 | 6,3 | 10 | 11 | YP-8711 | PA6 | 8,3 | 12 | 11 |
| YP-5712 | PA6 | 5,3 | 8 | 12 | YP-6712 | PA6 | 6,3 | 10 | 12 | YP-8712 | PA6 | 8,3 | 12 | 12 |
| YP-5713 | PA6 | 5,3 | 8 | 13 | YP-6713 | PA6 | 6,3 | 10 | 13 | YP-8713 | PA6 | 8,3 | 12 | 13 |
| YP-5714 | PA6 | 5,3 | 8 | 14 | YP-6714 | PA6 | 6,3 | 10 | 14 | YP-8714 | PA6 | 8,3 | 12 | 14 |
| YP-5715 | PA6 | 5,3 | 8 | 15 | YP-6715 | PA6 | 6,3 | 10 | 15 | YP-8715 | PA6 | 8,3 | 12 | 15 |
| YP-5716 | PA6 | 5,3 | 8 | 16 | YP-6716 | PA6 | 6,3 | 10 | 16 | YP-8716 | PA6 | 8,3 | 12 | 16 |
| YP-5717 | PA6 | 5,3 | 8 | 17 | YP-6717 | PA6 | 6,3 | 10 | 17 | YP-8717 | PA6 | 8,3 | 12 | 17 |
| YP-5718 | PA6 | 5,3 | 8 | 18 | YP-6718 | PA6 | 6,3 | 10 | 18 | YP-8718 | PA6 | 8,3 | 12 | 18 |
| YP-5719 | PA6 | 5,3 | 8 | 19 | YP-6719 | PA6 | 6,3 | 10 | 19 | YP-8719 | PA6 | 8,3 | 12 | 19 |
| YP-5720 | PA6 | 5,3 | 8 | 20 | YP-6720 | PA6 | 6,3 | 10 | 20 | YP-8720 | PA6 | 8,3 | 12 | 20 |
| YP-5721 | PA6 | 5,3 | 8 | 21 | YP-6721 | PA6 | 6,3 | 10 | 21 | YP-8721 | PA6 | 8,3 | 12 | 21 |
| YP-5722 | PA6 | 5,3 | 8 | 22 | YP-6722 | PA6 | 6,3 | 10 | 22 | YP-8722 | PA6 | 8,3 | 12 | 22 |
| YP-5723 | PA6 | 5,3 | 8 | 23 | YP-6723 | PA6 | 6,3 | 10 | 23 | YP-8723 | PA6 | 8,3 | 12 | 23 |
| YP-5724 | PA6 | 5,3 | 8 | 24 | YP-6724 | PA6 | 6,3 | 10 | 24 | YP-8724 | PA6 | 8,3 | 12 | 24 |
| YP-5725 | PA6 | 5,3 | 8 | 25 | YP-6725 | PA6 | 6,3 | 10 | 25 | YP-8725 | PA6 | 8,3 | 12 | 25 |
| YP-5730 | PA6 | 5,3 | 8 | 30 | YP-6730 | PA6 | 6,3 | 10 | 30 | YP-8730 | PA6 | 8,3 | 12 | 30 |
| YP-5735 | PA6 | 5,3 | 8 | 35 | YP-6735 | PA6 | 6,3 | 10 | 35 | YP-8735 | PA6 | 8,3 | 12 | 35 |
| YP-5740 | PA6 | 5,3 | 8 | 40 | YP-6740 | PA6 | 6,3 | 10 | 40 | YP-8740 | PA6 | 8,3 | 12 | 40 |
| YP-5745 | PA6 | 5,3 | 8 | 45 | YP-6745 | PA6 | 6,3 | 10 | 45 | YP-8745 | PA6 | 8,3 | 12 | 45 |
| YP-5750 | PA6 | 5,3 | 8 | 50 | YP-6750 | PA6 | 6,3 | 10 | 50 | YP-8750 | PA6 | 8,3 | 12 | 50 |

LED PIPES



Dia 3 mm led pipe mountet from inside

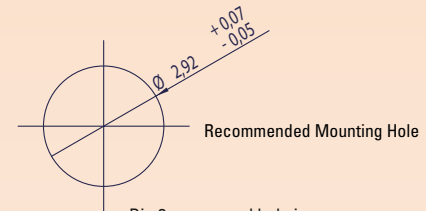
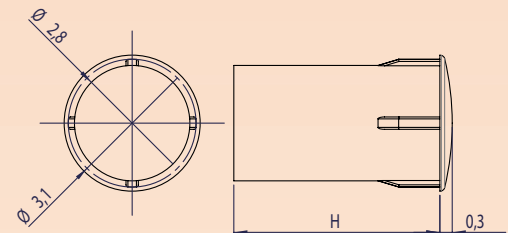
| Code | L | Pack |
|-------|----|------|
| LG-07 | 7 | 250 |
| LG-08 | 8 | 250 |
| LG-09 | 9 | 250 |
| LG-10 | 10 | 250 |
| LG-11 | 11 | 250 |
| LG-12 | 12 | 250 |
| LG-13 | 13 | 250 |
| LG-14 | 14 | 250 |
| LG-15 | 15 | 250 |
| LG-16 | 16 | 250 |
| LG-17 | 17 | 250 |
| LG-18 | 18 | 250 |
| LG-19 | 19 | 250 |
| LG-20 | 20 | 250 |
| LG-21 | 21 | 250 |
| LG-22 | 22 | 250 |
| LG-23 | 23 | 250 |
| LG-24 | 24 | 250 |
| LG-25 | 25 | 250 |
| LG-26 | 26 | 250 |
| LG-30 | 30 | 250 |
| LG-35 | 35 | 250 |
| LG-40 | 40 | 250 |
| LG-45 | 45 | 250 |
| LG-50 | 50 | 250 |



PCB placement

Dia 3 mm led pipe with foot

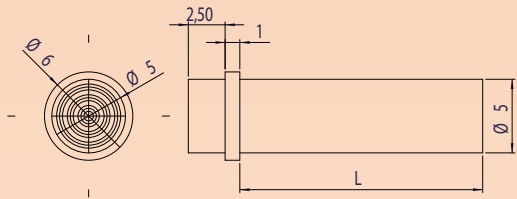
| Code | H | Pack |
|--------|----|------|
| LG-110 | 10 | 250 |
| LG-111 | 11 | 250 |
| LG-112 | 12 | 250 |
| LG-114 | 14 | 250 |
| LG-116 | 16 | 250 |
| LG-118 | 18 | 250 |
| LG-120 | 20 | 250 |
| LG-123 | 23 | 250 |
| LG-125 | 25 | 250 |
| LG-130 | 30 | 250 |



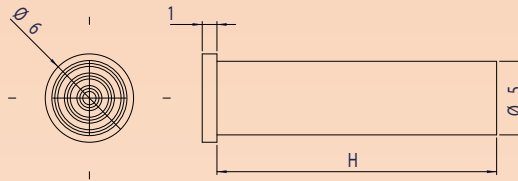
Dia 3 mm curved led pipe

| Code | H | Pack |
|---------|------|------|
| LG-2050 | 5 | 250 |
| LG-2060 | 6 | 250 |
| LG-2070 | 7 | 250 |
| LG-2080 | 8 | 250 |
| LG-2090 | 9 | 250 |
| LG-2100 | 10 | 250 |
| LG-2110 | 11 | 250 |
| LG-2120 | 12 | 250 |
| LG-2130 | 13 | 250 |
| LG-2140 | 14 | 250 |
| LG-2150 | 15 | 250 |
| LG-2175 | 17,5 | 250 |
| LG-2200 | 20 | 250 |
| LG-2225 | 22,5 | 250 |
| LG-2250 | 25 | 250 |
| LG-2275 | 27,5 | 250 |
| LG-2300 | 30 | 250 |
| LG-2325 | 32,5 | 250 |
| LG-2350 | 35 | 250 |

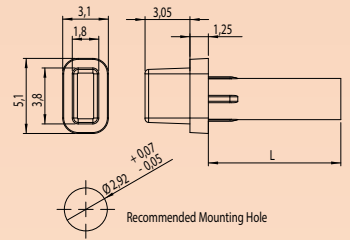
LED PIPES



Dia 5 mm led pipe mounted from inside



Dia 5 mm led pipe with flash



Dia 3 mm rectangular led pipe

| Code | L | Pack |
|---------|----|------|
| LG-5005 | 5 | 250 |
| LG-5006 | 6 | 250 |
| LG-5007 | 7 | 250 |
| LG-5008 | 8 | 250 |
| LG-5009 | 9 | 250 |
| LG-5010 | 10 | 250 |
| LG-5011 | 11 | 250 |
| LG-5012 | 12 | 250 |
| LG-5013 | 13 | 250 |
| LG-5014 | 14 | 250 |
| LG-5015 | 15 | 250 |
| LG-5016 | 16 | 250 |
| LG-5017 | 17 | 250 |
| LG-5018 | 18 | 250 |

| Code | L | Pack |
|---------|----|------|
| LG-5019 | 19 | 250 |
| LG-5020 | 20 | 250 |
| LG-5021 | 21 | 250 |
| LG-5022 | 22 | 250 |
| LG-5023 | 23 | 250 |
| LG-5024 | 24 | 250 |
| LG-5025 | 25 | 250 |
| LG-5026 | 26 | 250 |
| LG-5030 | 30 | 250 |
| LG-5035 | 35 | 250 |
| LG-5040 | 40 | 250 |
| LG-5045 | 45 | 250 |
| LG-5050 | 50 | 250 |

| Code | L | Pack |
|---------|----|------|
| LG-5105 | 5 | 250 |
| LG-5106 | 6 | 250 |
| LG-5107 | 7 | 250 |
| LG-5108 | 8 | 250 |
| LG-5109 | 9 | 250 |
| LG-5110 | 10 | 250 |
| LG-5111 | 11 | 250 |
| LG-5112 | 12 | 250 |
| LG-5113 | 13 | 250 |
| LG-5114 | 14 | 250 |
| LG-5115 | 15 | 250 |
| LG-5116 | 16 | 250 |
| LG-5117 | 17 | 250 |
| LG-5118 | 18 | 250 |

| Code | L | Pack |
|---------|----|------|
| LG-5119 | 19 | 250 |
| LG-5120 | 20 | 250 |
| LG-5121 | 21 | 250 |
| LG-5122 | 22 | 250 |
| LG-5123 | 23 | 250 |
| LG-5124 | 24 | 250 |
| LG-5125 | 25 | 250 |
| LG-5126 | 26 | 250 |
| LG-5130 | 30 | 250 |
| LG-5135 | 35 | 250 |
| LG-5140 | 40 | 250 |
| LG-5145 | 45 | 250 |
| LG-5150 | 50 | 250 |

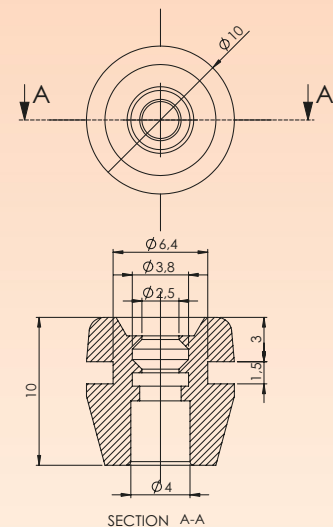
| Code | L | Pack |
|---------|------|------|
| LG-2505 | 5 | 250 |
| LG-2506 | 6 | 250 |
| LG-2507 | 7 | 250 |
| LG-2508 | 8 | 250 |
| LG-2509 | 9 | 250 |
| LG-2510 | 10 | 250 |
| LG-2511 | 11 | 250 |
| LG-2512 | 12 | 250 |
| LG-2513 | 13 | 250 |
| LG-2514 | 14 | 250 |
| LG-2515 | 15 | 250 |
| LG-2516 | 16 | 250 |
| LG-2517 | 17,5 | 250 |
| LG-2520 | 20 | 250 |
| LG-2522 | 22,5 | 250 |
| LG-2525 | 25 | 250 |
| LG-2527 | 27,5 | 250 |
| LG-2530 | 30 | 250 |
| LG-2532 | 32,5 | 250 |
| LG-2535 | 35 | 250 |

LG-310

3 mm LED SEAL



LG-310



| Code | Di | Do | H (mm) |
|--------|------|------|--------|
| IN-203 | M2 | 3.60 | 3 |
| IN-254 | M2.5 | 4.60 | 4 |
| A-651 | M3 | 4.60 | 5.75 |
| A-649 | M4 | 6.30 | 4 |
| A-650 | M4 | 6.30 | 8 |
| IN-506 | M5 | 7.07 | 5.8 |
| IN-607 | M6 | 8.67 | 6.8 |
| IN-509 | M5 | 7.07 | 9.5 |

SECTION A-A

- Ultrasonic press, suitable to put in the mold during heat press and injection

BRASS INSERTS

IN-483

SECTION A-A

BLIND INSERT

- Fits tightly into the appropriate hole in the plastic
- Screw is fixed by expanding when it is inserted

| Code | Di (mm) | Do (mm) | H (mm) | D1 (mm) | S (mm) |
|--------|---------|---------|--------|---------|--------|
| IN-347 | M3 | 4,3 | 4,76 | Ø4 | 3,2 |
| IN-479 | M4 | 5,95 | 7,9 | Ø5,6 | 4 |

EXPANSION INSERT

A-58 A-59

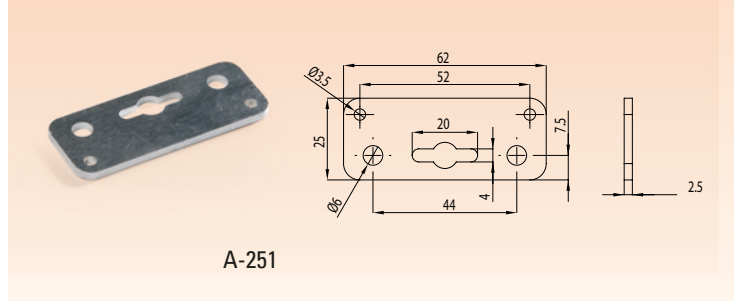
WALL MOUNTING PARTS

| | |
|------|------------------------|
| A-58 | WALL MOUNT WITH NAILS |
| A-59 | WALL MOUNT WITH SCREWS |



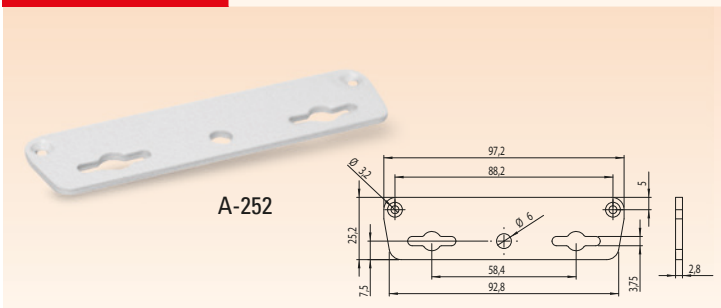
A-251

EXTRA MOUNTING FEET



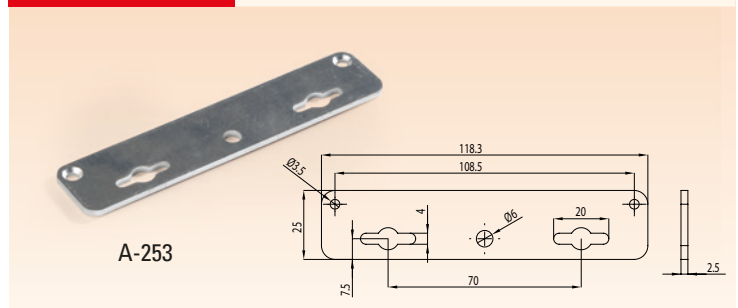
A-252

EXTRA MOUNTING FEET



A-253

EXTRA MOUNTING FEET



A-366

WALL MOUNTING KIT

| | |
|----------|--------------------|
| Color | LIGHT GRAY / BLACK |
| Material | ABS |



A-368

WALL MOUNTING KIT

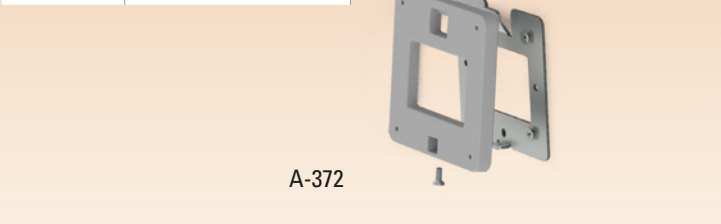
| | |
|----------|--------------------|
| Color | LIGHT GRAY / BLACK |
| Material | ABS |



A-372

WALL MOUNTING KIT

| | |
|----------|--------------------|
| Color | LIGHT GRAY / BLACK |
| Material | ABS / SHEET METAL |



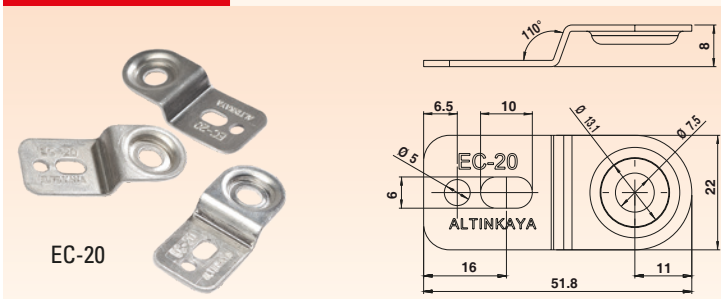
A-57

DETACHABLE LEG



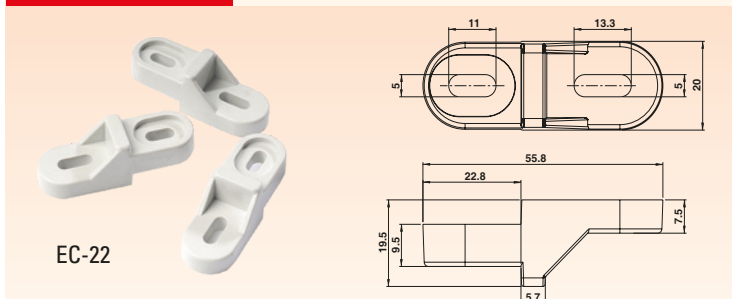
EC-20

ALUMINUM MOUNTING EAR



EC-22

PLASTIC MOUNTING EAR



A-782

SUSPENDED CEILING KIT

Color LIGHT GRAY



A-782

A-345

METAL CORNER MOUNTING

Material Metal



A-345

A-350

SMALL ANGLE BASE

Color LIGHT GRAY / BLACK

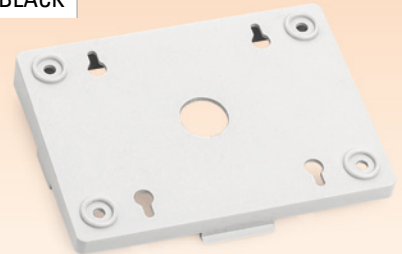


A-350

A-355

LARGE ANGLE BASE

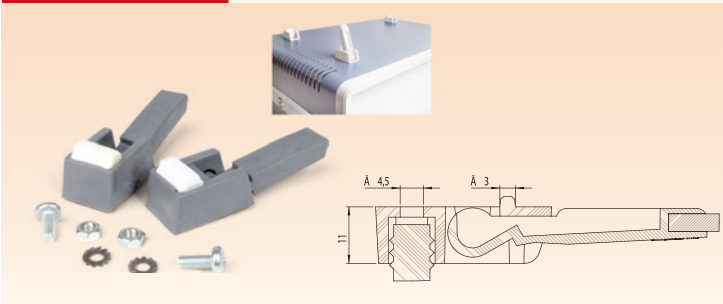
Color LIGHT GRAY / BLACK



A-355

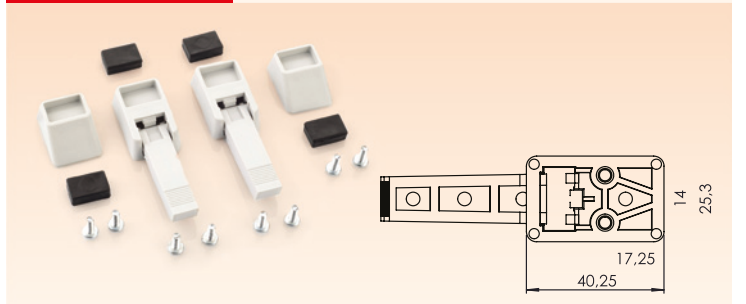
A-951

TILTING FEET SET



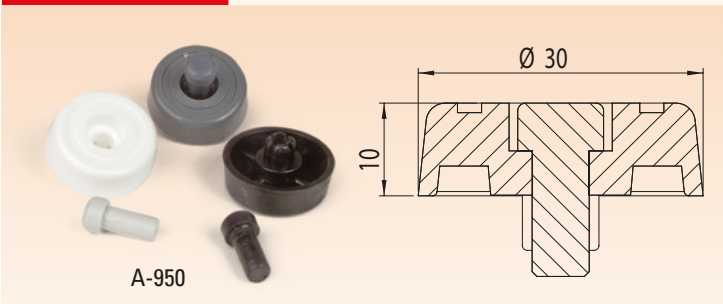
A-952

TILTING FEET SET



A-950

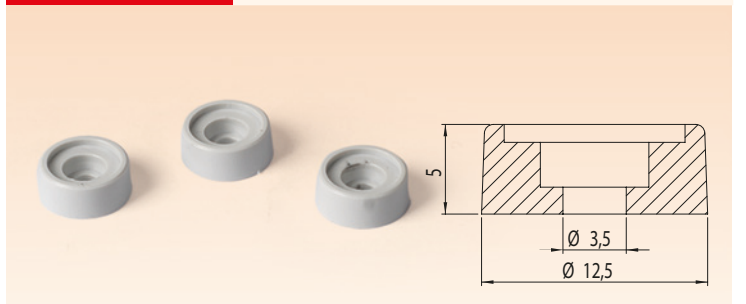
BUMPER FEET



A-950

A-82

PLASTIC FEET



A-83

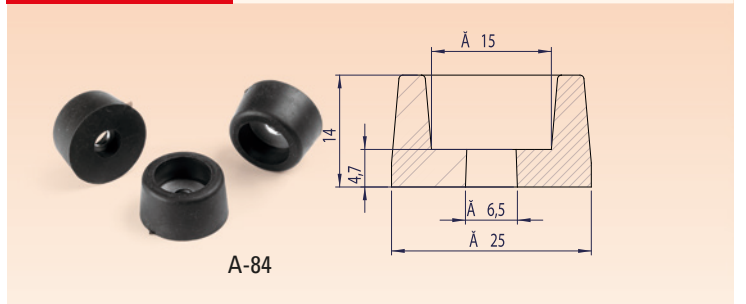
RUBBER FEET (WITH METAL WASHER)



A-83

A-84

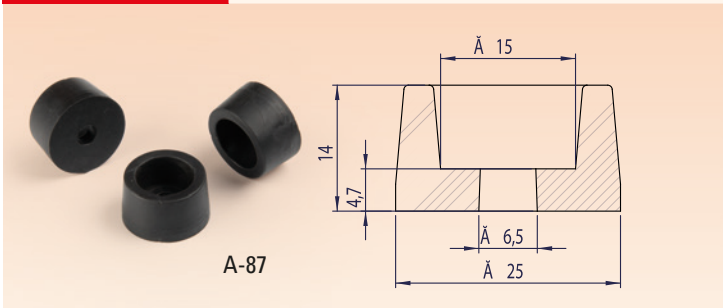
RUBBER FEET (WITH METAL WASHER)



A-84

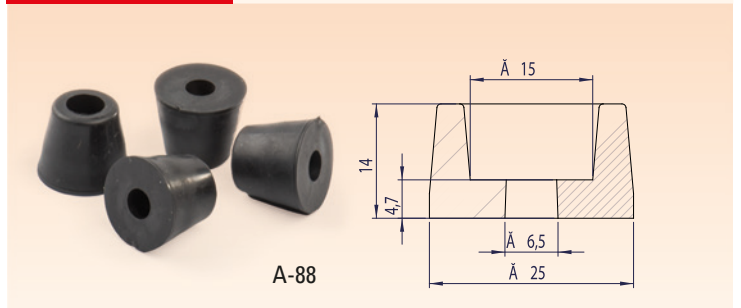
A-87

RUBBER FEET



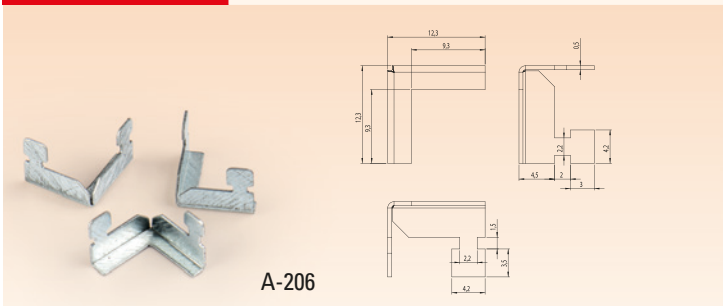
A-88

**RUBBER FEET
(WITH METAL WASHER)**



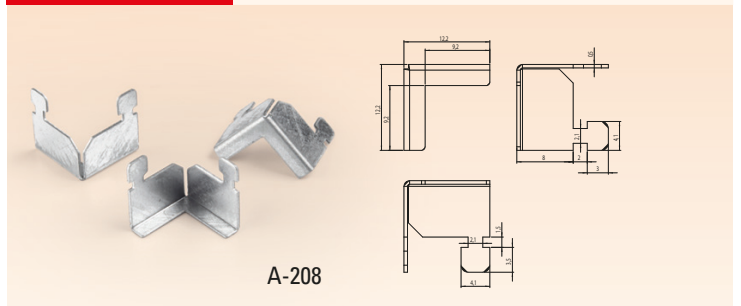
A-206

LCD MOUNTING CORNER FEET



A-208

LCD MOUNTING CORNER FEET



A-410

RACK ANCHER



A-310

PLASTIC VENTILATION



A-49 / A-50

BATTERY COVERS



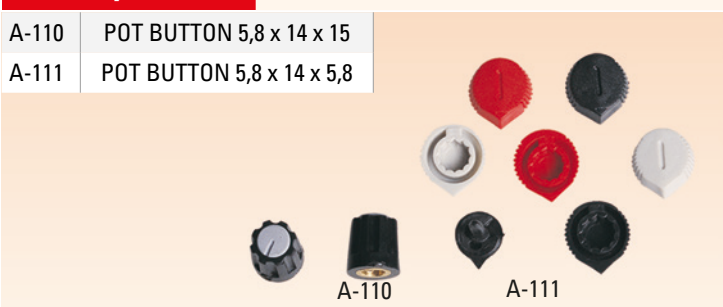
A-80 / A-81

TRIMPOT BARS



A-110 / A-111

POT BUTTONS



A-190 / A-191

BELT CLIPS



A-45

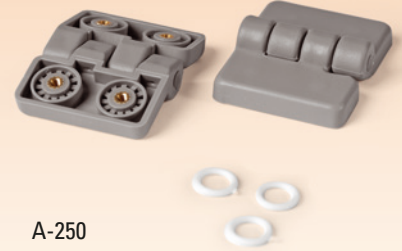
NICKEL PLATED METAL LOCK



A-45

A-250

SEALED HINGE



A-250

A-700 SERİSİ

PLASTIC BUTTONS

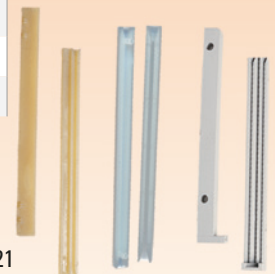
| | | | |
|-------|------------------------|-------|------------------------|
| A-700 | LARGE TRIANGLE BUTTON | A-702 | SMALL TRIANGLE BUTTON |
| A-701 | LARGE RECTANGLE BUTTON | A-703 | SMALL RECTANGLE BUTTON |



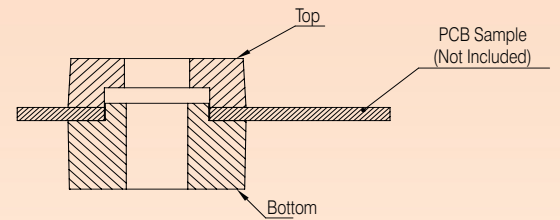
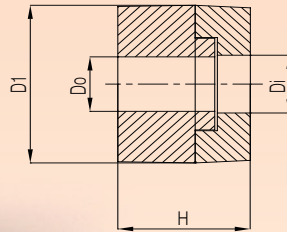
A-921

CARD RAILS

| | |
|-------|-----------------------------|
| A-921 | PLASTIC CARD RAIL (FLAT) |
| A-922 | PLASTIC CARD RAIL (2 RAILS) |
| A-923 | 4,5" PLASTIC CARD RAIL |



A-921



• E ases to isolate the PCB from the enclosure

| Code | Di (mm) | Do (mm) | D1 (mm) | H (mm) |
|-------|---------|---------|---------|--------|
| A-124 | Ø5 | Ø5 | Ø17,5 | 14 |
| A-126 | Ø7 | Ø6,6 | Ø19,4 | 14,7 |

ISOLATION WASHERS

RF ENCLOSURES

RF-080

RF-060

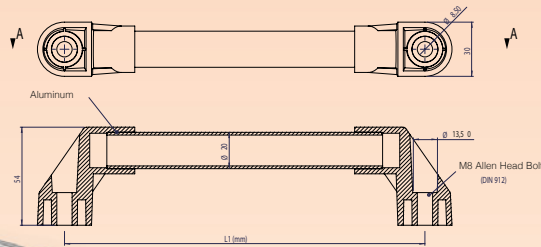
RF-022

| Code | W (mm) | L (mm) | H (mm) |
|--------|--------|--------|--------|
| RF-020 | 12 | 20 | 6,3 |
| RF-022 | 20 | 22 | 2,5 |
| RF-060 | 32 | 42 | 8 |
| RF-080 | 23.5 | 145 | 5.5 |

• Any sizes can be manufactured.

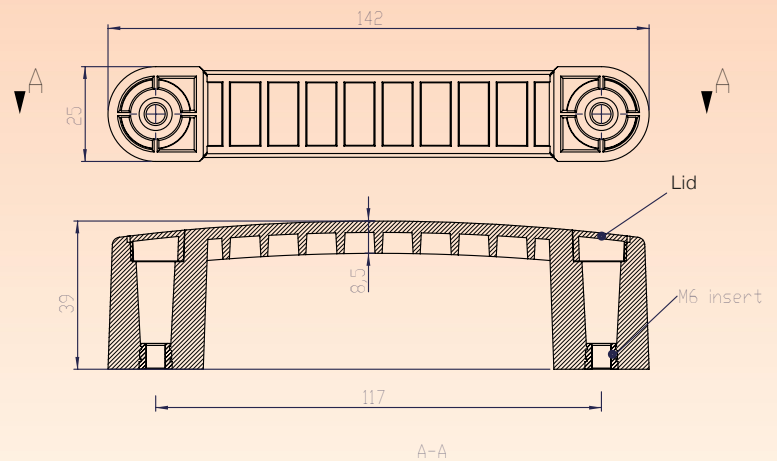
A-330 HANDLE

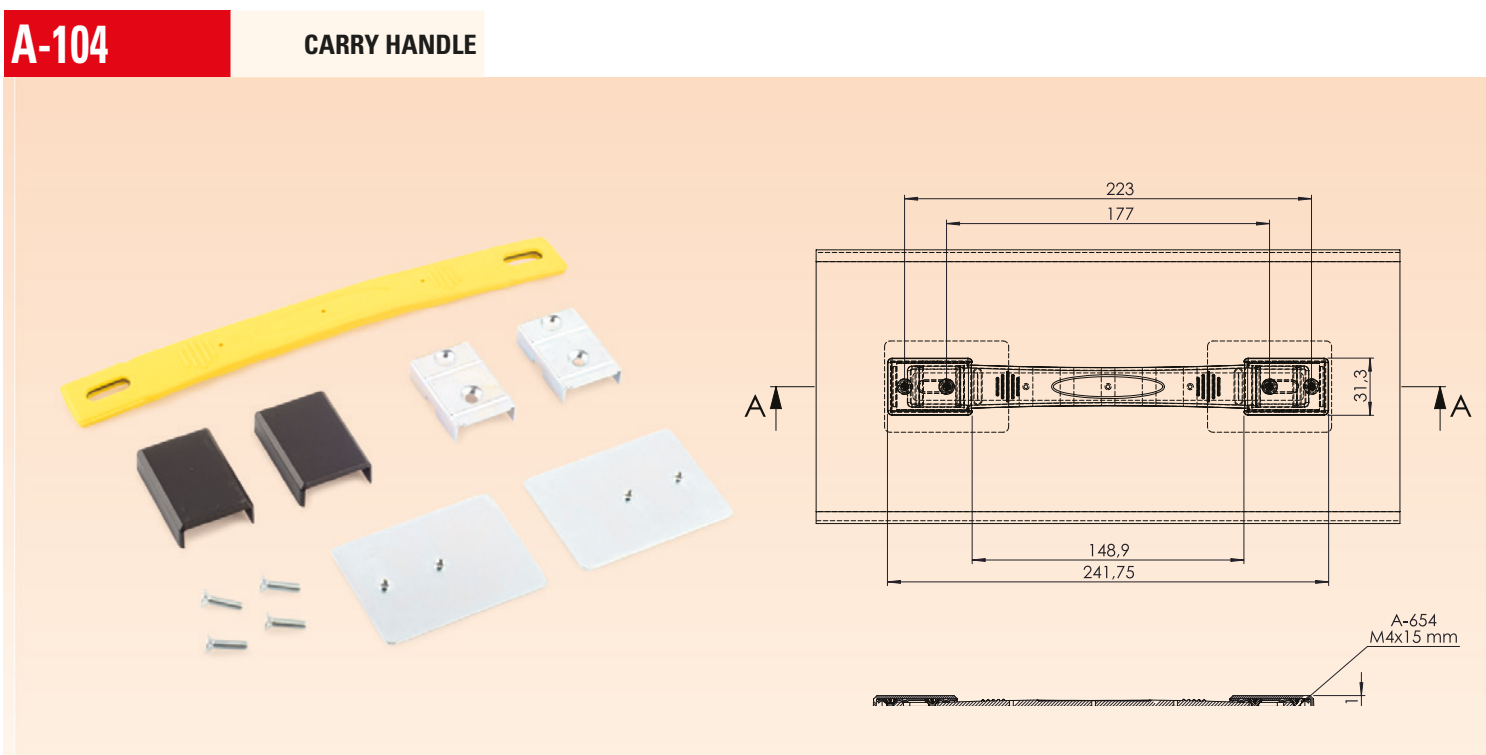
MATERIAL ABS / ALUMINUM
COLOR BLACK



| Code | L1 |
|----------|-----|
| A-330-20 | 200 |
| A-330-30 | 300 |
| A-330-40 | 400 |
| A-330-50 | 500 |
| A-330-70 | 700 |

A-332 HANDLE





KL-40

STAINLESS HINGE SET



KL-40

KL-50

STAINLESS LATCH (compatible with EC-1515, EC-1722 and EC-2818)



KL-50

KL-55

STAINLESS LATCH SET (SMALL)



KL-55

KL-60

STAINLESS HOOK SET



KL-60

KL-70

STAINLESS LATCH (compatible with EC-2828, EC-3040 and EC-4050)



KL-70

KL-75

STAINLESS LATCH SET (LARGE)



KL-75

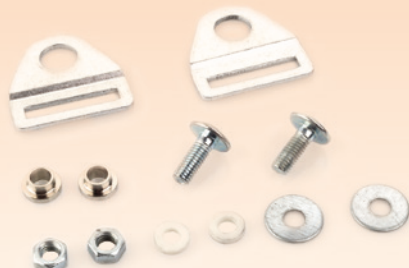


VK-24

VK-24

NECK HANGER

CONTROL ENCLOSURE



A-430

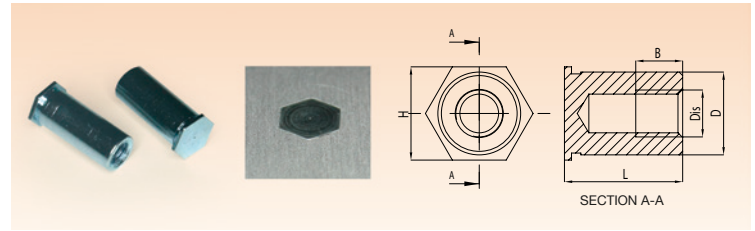
A-430

HANGER KIT

NECK HANGER

LOCK OFF SPACER

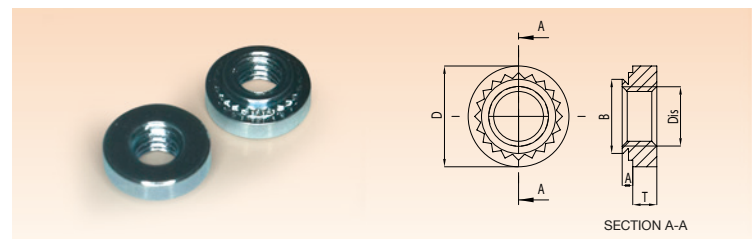
The plate thickness should be at least as shown in the min plate thickness.
 The diameter of the mounting hole must be within the tolerance given.
 The hole to be mounted should not be deburred.
 The distance to the edge of the sheet must be at least as specified.
 Material steel surface coating Cr3+ Zinc plated.



| Code | Thread Size (mm) | L +0.05/-0.13 (mm) | H (Norm) | D -0.13 (mm) | Min. Plate Thickness (mm) | Hole Size on Plate +0.08 (mm) | Distance Between The Center of Hole and The Side of Plate (mm) |
|-----------|------------------|--------------------|----------|--------------|---------------------------|-------------------------------|--|
| BSO-M3-6 | M3x6 | 6 | 4,8 | 4,2 | 1,02 | 4,22 | 6 |
| BSO-M3-8 | M3x8 | 8 | 4,8 | 4,2 | 1,02 | 4,22 | 6 |
| BSO-M3-10 | M3x10 | 10 | 4,8 | 4,2 | 1,02 | 4,22 | 6 |
| BSO-M3-12 | M3x12 | 12 | 4,8 | 4,2 | 1,02 | 4,22 | 6 |
| BSO-M3-14 | M3x14 | 14 | 4,8 | 4,2 | 1,02 | 4,22 | 6 |
| BSO-M3-16 | M3x16 | 16 | 4,8 | 4,2 | 1,02 | 4,22 | 6 |
| BSO-M3-18 | M3x18 | 18 | 4,8 | 4,2 | 1,02 | 4,22 | 6 |
| BSO-M3-20 | M3x20 | 20 | 4,8 | 4,2 | 1,02 | 4,22 | 6 |
| BSO-M3-22 | M3x22 | 22 | 4,8 | 4,2 | 1,02 | 4,22 | 6 |
| BSO-M3-24 | M3x24 | 24 | 4,8 | 4,2 | 1,02 | 4,22 | 6 |
| BSO-M3-25 | M3x25 | 25 | 4,8 | 4,2 | 1,02 | 4,22 | 6 |
| BSO-M3-26 | M3x26 | 26 | 4,8 | 4,2 | 1,02 | 4,22 | 6 |
| BSO-M4-6 | M4x6 | 6 | 7,9 | 7,12 | 1,27 | 7,14 | 8 |
| BSO-M4-8 | M4x8 | 8 | 7,9 | 7,12 | 1,27 | 7,14 | 8 |
| BSO-M4-10 | M4x10 | 10 | 7,9 | 7,12 | 1,27 | 7,14 | 8 |
| BSO-M4-12 | M4x12 | 12 | 7,9 | 7,12 | 1,27 | 7,14 | 8 |
| BSO-M4-14 | M4x14 | 14 | 7,9 | 7,12 | 1,27 | 7,14 | 8 |
| BSO-M4-16 | M4x16 | 16 | 7,9 | 7,12 | 1,27 | 7,14 | 8 |
| BSO-M4-18 | M4x18 | 18 | 7,9 | 7,12 | 1,27 | 7,14 | 8 |
| BSO-M4-20 | M4x20 | 20 | 7,9 | 7,12 | 1,27 | 7,14 | 8 |
| BSO-M4-22 | M4x22 | 22 | 7,9 | 7,12 | 1,27 | 7,14 | 8 |
| BSO-M4-24 | M4x24 | 24 | 7,9 | 7,12 | 1,27 | 7,14 | 8 |
| BSO-M4-25 | M4x25 | 25 | 7,9 | 7,12 | 1,27 | 7,14 | 8 |
| BSO-M4-26 | M4x26 | 26 | 7,9 | 7,12 | 1,27 | 7,14 | 8 |
| BSO-M5-6 | M5x6 | 6 | 7,9 | 7,12 | 1,27 | 7,14 | 8 |
| BSO-M5-8 | M5x8 | 8 | 7,9 | 7,12 | 1,27 | 7,14 | 8 |
| BSO-M5-10 | M5x10 | 10 | 7,9 | 7,12 | 1,27 | 7,14 | 8 |
| BSO-M5-12 | M5x12 | 12 | 7,9 | 7,12 | 1,27 | 7,14 | 8 |
| BSO-M5-14 | M5x14 | 14 | 7,9 | 7,12 | 1,27 | 7,14 | 8 |
| BSO-M5-16 | M5x16 | 16 | 7,9 | 7,12 | 1,27 | 7,14 | 8 |
| BSO-M5-18 | M5x18 | 18 | 7,9 | 7,12 | 1,27 | 7,14 | 8 |
| BSO-M5-20 | M5x20 | 20 | 7,9 | 7,12 | 1,27 | 7,14 | 8 |
| BSO-M5-22 | M5x22 | 22 | 7,9 | 7,12 | 1,27 | 7,14 | 8 |
| BSO-M5-24 | M5x24 | 24 | 7,9 | 7,12 | 1,27 | 7,14 | 8 |
| BSO-M5-25 | M5x25 | 25 | 7,9 | 7,12 | 1,27 | 7,14 | 8 |
| BSO-M5-26 | M5x26 | 26 | 7,9 | 7,12 | 1,27 | 7,14 | 8 |

LOCK OFF NUTS

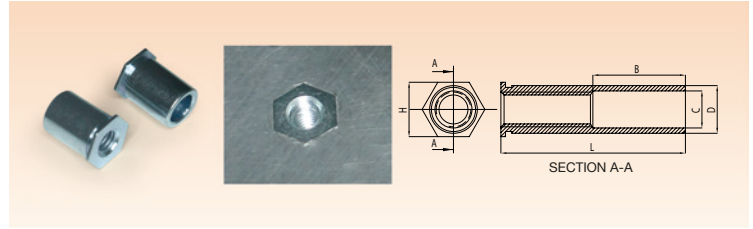
The plate thickness should be at least as shown in the min plate thickness.
 The diameter of the mounting hole must be within the tolerance given.
 The hole to be mounted should not be deburred.
 The distance to the edge of the sheet must be at least as specified.
 Material steel surface coating Cr3+ Zinc plated.



| Code | Thread Size (mm) | A (Shank) Max. (mm) | Min. Plate Thickness (mm) | Mounting Hole Dia +0.08 (mm) | D ±0.25 (mm) | B Max. (mm) | T ±0.25 (mm) | Min. Distance Between The Center of Hole and The Side of Plate (mm) |
|-----------|------------------|---------------------|---------------------------|------------------------------|--------------|-------------|--------------|---|
| S-M3-1 | M3x1 | 0,97 | 1 | 4,25 | 6,3 | 4,22 | 1,5 | 4,8 |
| S-M4-1 | M4x1 | 0,97 | 1 | 5,4 | 7,9 | 5,38 | 2 | 6,9 |
| S-M5-1 | M5x1 | 0,97 | 1 | 6,4 | 8,7 | 6,34 | 2 | 7,1 |
| S-M6-1 | M6x1 | 1,15 | 1,2 | 8,75 | 11,05 | 8,72 | 4,08 | 8,6 |
| S-M8-1.25 | M8x1.25 | 1,38 | 1,4 | 10,5 | 12,65 | 10,44 | 5,47 | 9,5 |

FLASH ON SPACER

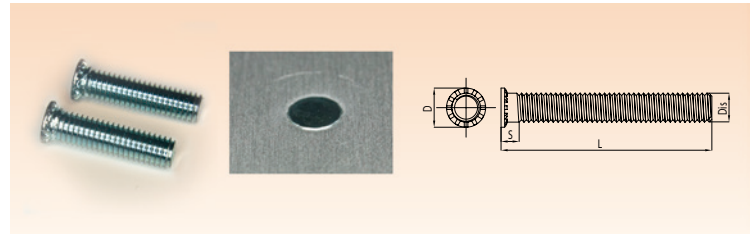
The plate thickness should be at least as shown in the min plate thickness.
 The diameter of the mounting hole must be within the tolerance given.
 The hole to be mounted should not be deburred.
 The distance to the edge of the sheet must be at least as specified.
 Material steel surface coating Cr3+ Zinc plated.



| Code | Thread Size (mm) | L +0.05/-0.13 (mm) | H (Norm) | D -0.13 (mm) | C ±0.13 (mm) | Min. Plate Thickness (mm) | Hole Size on Plate +0.08 (mm) | Min. Distance Between The Center of Hole and The Side of Plate (mm) |
|----------|------------------|--------------------|----------|--------------|--------------|---------------------------|-------------------------------|---|
| SO-M3-3 | M3x3 | 3 | 4,8 | 4,2 | 3,2 | 1,02 | 4,22 | 6 |
| SO-M3-4 | M3x4 | 4 | 4,8 | 4,2 | 3,2 | 1,02 | 4,22 | 6 |
| SO-M3-6 | M3x6 | 6 | 4,8 | 4,2 | 3,2 | 1,02 | 4,22 | 6 |
| SO-M3-8 | M3x8 | 8 | 4,8 | 4,2 | 3,2 | 1,02 | 4,22 | 6 |
| SO-M3-10 | M3x10 | 10 | 4,8 | 4,2 | 3,2 | 1,02 | 4,22 | 6 |
| SO-M3-12 | M3x12 | 12 | 4,8 | 4,2 | 3,2 | 1,02 | 4,22 | 6 |
| SO-M3-14 | M3x14 | 14 | 4,8 | 4,2 | 3,2 | 1,02 | 4,22 | 6 |
| SO-M3-16 | M3x16 | 16 | 4,8 | 4,2 | 3,2 | 1,02 | 4,22 | 6 |
| SO-M3-18 | M3x18 | 18 | 4,8 | 4,2 | 3,2 | 1,02 | 4,22 | 6 |
| SO-M4-3 | M4x3 | 3 | 7,9 | 7,12 | 4,8 | 1,27 | 7,14 | 8 |
| SO-M4-4 | M4x4 | 4 | 7,9 | 7,12 | 4,8 | 1,27 | 7,14 | 8 |
| SO-M4-6 | M4x6 | 6 | 7,9 | 7,12 | 4,8 | 1,27 | 7,14 | 8 |
| SO-M4-8 | M4x8 | 8 | 7,9 | 7,12 | 4,8 | 1,27 | 7,14 | 8 |
| SO-M4-10 | M4x10 | 10 | 7,9 | 7,12 | 4,8 | 1,27 | 7,14 | 8 |
| SO-M4-12 | M4x12 | 12 | 7,9 | 7,12 | 4,8 | 1,27 | 7,14 | 8 |
| SO-M4-14 | M4x14 | 14 | 7,9 | 7,12 | 4,8 | 1,27 | 7,14 | 8 |
| SO-M4-16 | M4x16 | 16 | 7,9 | 7,12 | 4,8 | 1,27 | 7,14 | 8 |
| SO-M4-18 | M4x18 | 18 | 7,9 | 7,12 | 4,8 | 1,27 | 7,14 | 8 |
| SO-M4-20 | M4x20 | 20 | 7,9 | 7,12 | 4,8 | 1,27 | 7,14 | 8 |
| SO-M4-22 | M4x22 | 22 | 7,9 | 7,12 | 4,8 | 1,27 | 7,14 | 8 |
| SO-M4-25 | M4x25 | 25 | 7,9 | 7,12 | 4,8 | 1,27 | 7,14 | 8 |
| SO-M5-3 | M5x3 | 3 | 7,9 | 7,12 | 5,35 | 1,27 | 7,14 | 8 |
| SO-M5-4 | M5x4 | 4 | 7,9 | 7,12 | 5,35 | 1,27 | 7,14 | 8 |
| SO-M5-6 | M5x6 | 6 | 7,9 | 7,12 | 5,35 | 1,27 | 7,14 | 8 |
| SO-M5-8 | M5x8 | 8 | 7,9 | 7,12 | 5,35 | 1,27 | 7,14 | 8 |
| SO-M5-10 | M5x10 | 10 | 7,9 | 7,12 | 5,35 | 1,27 | 7,14 | 8 |
| SO-M5-12 | M5x12 | 12 | 7,9 | 7,12 | 5,35 | 1,27 | 7,14 | 8 |
| SO-M5-14 | M5x14 | 14 | 7,9 | 7,12 | 5,35 | 1,27 | 7,14 | 8 |
| SO-M5-16 | M5x16 | 16 | 7,9 | 7,12 | 5,35 | 1,27 | 7,14 | 8 |
| SO-M5-18 | M5x18 | 18 | 7,9 | 7,12 | 5,35 | 1,27 | 7,14 | 8 |
| SO-M5-20 | M5x20 | 20 | 7,9 | 7,12 | 5,35 | 1,27 | 7,14 | 8 |
| SO-M5-22 | M5x22 | 22 | 7,9 | 7,12 | 5,35 | 1,27 | 7,14 | 8 |
| SO-M5-25 | M5x25 | 25 | 7,9 | 7,12 | 5,35 | 1,27 | 7,14 | 8 |

LOCK OFF SCREWS

The plate thickness should be at least as shown in the min plate thickness.
 The diameter of the mounting hole must be within the tolerance given.
 The hole to be mounted should not be deburred.
 The distance to the edge of the sheet must be at least as specified.
 Material steel surface coating Cr3+ Zinc plated.

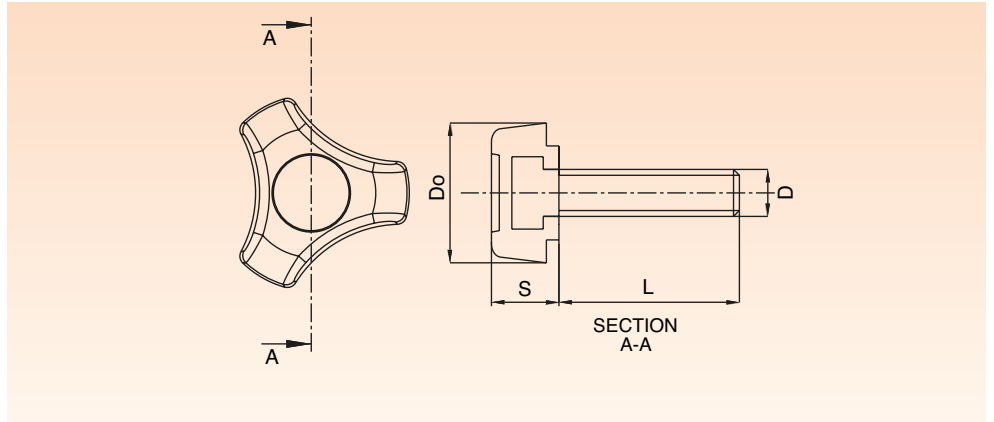


| Code | Thread Size (mm) | L ±0.4 (mm) | D ±0.4 (mm) | S Max. | Min. Plate Thickness (mm) | Hole Size on Plate +0.08 (mm) | Max. Hole in Attach Part (mm) | Min. Distance from Center of Hole to Side of Plate (mm) |
|----------|------------------|-------------|-------------|--------|---------------------------|-------------------------------|-------------------------------|---|
| FH-M3-6 | M3x6 | 6 | 4,6 | 2,1 | 1 | 3 | 3,6 | 5,6 |
| FH-M3-8 | M3x8 | 8 | 4,6 | 2,1 | 1 | 3 | 3,6 | 5,6 |
| FH-M3-10 | M3x10 | 10 | 4,6 | 2,1 | 1 | 3 | 3,6 | 5,6 |
| FH-M3-12 | M3x12 | 12 | 4,6 | 2,1 | 1 | 3 | 3,6 | 5,6 |
| FH-M3-15 | M3x15 | 15 | 4,6 | 2,1 | 1 | 3 | 3,6 | 5,6 |
| FH-M3-18 | M3x18 | 18 | 4,6 | 2,1 | 1 | 3 | 3,6 | 5,6 |
| FH-M3-20 | M3x20 | 20 | 4,6 | 2,1 | 1 | 3 | 3,6 | 5,6 |
| FH-M3-25 | M3x25 | 25 | 4,6 | 2,1 | 1 | 3 | 3,6 | 5,6 |
| FH-M3-30 | M3x30 | 30 | 4,6 | 2,1 | 1 | 3 | 3,6 | 5,6 |
| FH-M4-6 | M4x6 | 6 | 5,9 | 2,4 | 1 | 4 | 4,6 | 7,2 |
| FH-M4-8 | M4x8 | 8 | 5,9 | 2,4 | 1 | 4 | 4,6 | 7,2 |
| FH-M4-10 | M4x10 | 10 | 5,9 | 2,4 | 1 | 4 | 4,6 | 7,2 |
| FH-M4-12 | M4x12 | 12 | 5,9 | 2,4 | 1 | 4 | 4,6 | 7,2 |
| FH-M4-15 | M4x15 | 15 | 5,9 | 2,4 | 1 | 4 | 4,6 | 7,2 |
| FH-M4-18 | M4x18 | 18 | 5,9 | 2,4 | 1 | 4 | 4,6 | 7,2 |
| FH-M4-20 | M4x20 | 20 | 5,9 | 2,4 | 1 | 4 | 4,6 | 7,2 |
| FH-M4-25 | M4x25 | 25 | 5,9 | 2,4 | 1 | 4 | 4,6 | 7,2 |
| FH-M4-30 | M4x30 | 30 | 5,9 | 2,4 | 1 | 4 | 4,6 | 7,2 |
| FH-M4-35 | M4x35 | 35 | 5,9 | 2,4 | 1 | 4 | 4,6 | 7,2 |
| FH-M5-8 | M5x8 | 8 | 6,5 | 2,7 | 1 | 5 | 5,6 | 7,2 |
| FH-M5-10 | M5x10 | 10 | 6,5 | 2,7 | 1 | 5 | 5,6 | 7,2 |
| FH-M5-12 | M5x12 | 12 | 6,5 | 2,7 | 1 | 5 | 5,6 | 7,2 |
| FH-M5-15 | M5x15 | 15 | 6,5 | 2,7 | 1 | 5 | 5,6 | 7,2 |
| FH-M5-18 | M5x18 | 18 | 6,5 | 2,7 | 1 | 5 | 5,6 | 7,2 |
| FH-M5-20 | M5x20 | 20 | 6,5 | 2,7 | 1 | 5 | 5,6 | 7,2 |
| FH-M5-25 | M5x25 | 25 | 6,5 | 2,7 | 1 | 5 | 5,6 | 7,2 |
| FH-M5-30 | M5x30 | 30 | 6,5 | 2,7 | 1 | 5 | 5,6 | 7,2 |
| FH-M5-35 | M5x35 | 35 | 6,5 | 2,7 | 1 | 5 | 5,6 | 7,2 |
| FH-M6-10 | M6x10 | 10 | 8,2 | 3 | 1,6 | 6 | 6,6 | 7,9 |
| FH-M6-12 | M6x12 | 12 | 8,2 | 3 | 1,6 | 6 | 6,6 | 7,9 |
| FH-M6-15 | M6x15 | 15 | 8,2 | 3 | 1,6 | 6 | 6,6 | 7,9 |
| FH-M6-18 | M6x18 | 18 | 8,2 | 3 | 1,6 | 6 | 6,6 | 7,9 |
| FH-M6-20 | M6x20 | 20 | 8,2 | 3 | 1,6 | 6 | 6,6 | 7,9 |
| FH-M6-25 | M6x25 | 25 | 8,2 | 3 | 1,6 | 6 | 6,6 | 7,9 |
| FH-M6-30 | M6x30 | 30 | 8,2 | 3 | 1,6 | 6 | 6,6 | 7,9 |
| FH-M6-35 | M6x35 | 35 | 8,2 | 3 | 1,6 | 6 | 6,6 | 7,9 |
| FH-M8-10 | M8x10 | 10 | 9,6 | 3,7 | 2,4 | 8 | 8,6 | 9,6 |
| FH-M8-12 | M8x12 | 12 | 9,6 | 3,7 | 2,4 | 8 | 8,6 | 9,6 |
| FH-M8-15 | M8x15 | 15 | 9,6 | 3,7 | 2,4 | 8 | 8,6 | 9,6 |
| FH-M8-18 | M8x18 | 18 | 9,6 | 3,7 | 2,4 | 8 | 8,6 | 9,6 |
| FH-M8-20 | M8x20 | 20 | 9,6 | 3,7 | 2,4 | 8 | 8,6 | 9,6 |
| FH-M8-25 | M8x25 | 25 | 9,6 | 3,7 | 2,4 | 8 | 8,6 | 9,6 |
| FH-M8-30 | M8x30 | 30 | 9,6 | 3,7 | 2,4 | 8 | 8,6 | 9,6 |
| FH-M8-35 | M8x35 | 35 | 9,6 | 3,7 | 2,4 | 8 | 8,6 | 9,6 |



PLASTIC HEADED SCREWS

| Code | D | Do | L | S |
|---------------|---|----|----|------|
| VD - 640 - 10 | 4 | 13 | 10 | 6,5 |
| VD - 640 - 15 | 4 | 13 | 15 | 6,5 |
| VD - 640 - 20 | 4 | 13 | 20 | 6,5 |
| VD - 640 - 25 | 4 | 13 | 25 | 6,5 |
| VD - 640 - 30 | 4 | 13 | 30 | 6,5 |
| VD - 650 - 9 | 5 | 18 | 9 | 7 |
| VD - 650 - 12 | 5 | 16 | 12 | 6 |
| VD - 650 - 17 | 5 | 16 | 17 | 6 |
| VD - 660 - 8 | 6 | 25 | 8 | 8,65 |
| VD - 660 - 14 | 6 | 25 | 14 | 8,65 |
| VD - 660 - 18 | 6 | 25 | 18 | 8,65 |
| VD - 660 - 23 | 6 | 25 | 23 | 8,65 |
| VD - 660 - 28 | 6 | 25 | 28 | 8,65 |
| VD - 680 - 8 | 8 | 33 | 8 | 11 |
| VD - 680 - 14 | 8 | 33 | 14 | 11 |
| VD - 680 - 18 | 8 | 33 | 18 | 11 |
| VD - 680 - 23 | 8 | 33 | 23 | 11 |
| VD - 680 - 28 | 8 | 33 | 28 | 11 |



- M4-M5-M6 and M8 Plastic headed screw
- Made of high quality ABS material
- White and black color option

SCREWS



VD-3300
3mm Torx TSB
Alu Screw

IN PACK 250 PCS
COLOR METALLIC
BLACK



VD-3400
4mm Torx TSB
Alu Screw

IN PACK 250 ADET
COLOR METALLIC
BLACK



VD-4400
4mm Torx THB
Alu Screw

IN PACK 250 ADET
COLOR METALLIC
BLACK



A-662
2,5 x 5 mm YCB PLS
Combi PCB Screw

IN PACK 500 PCS
COLOR METALLIC



A-637
2,2 x 6,5 mm YSB
Screw

IN PACK 1250 PCS
COLOR BLACK



A-611
2,2 x 6 mm YSB
Screw

IN PACK 500 PCS
COLOR BLACK



A-617
2,2 x 9,5 mm YHB Screw

IN PACK 1000 PCS
COLOR METALLIC /
BLACK



A-62
2,2 x 13 mm YHB Screw

IN PACK 500 PCS
COLOR METALLIC /
BLACK



A-601
2,9 x 9,5 mm YSB
Screw

IN PACK 350 PCS
COLOR METALLIC



A-635
2,9 x 9,5 mm YHB Screw

IN PACK 500 PCS
COLOR METALLIC /
BLACK



A-624
2,9 x 25 mm YHB Screw

IN PACK 350 PCS
COLOR METALLIC /
BLACK



A-618
3 x 6,5 mm PYSB
Screw

IN PACK 400 PCS
COLOR METALLIC /
BLACK



A-614
3 x 9,5 mm PYSB Screw

IN PACK 300 PCS
COLOR METALLIC /
BLACK



A-63
3 x 16 mm PYSB
Screw

IN PACK 500 PCS
COLOR METALLIC /
BLACK



A-69
3 x 25 mm YHB Screw

IN PACK 300 PCS
COLOR METALLIC



A-630
3,5 x 16 mm PYSB Screw

IN PACK 350 PCS
COLOR METALLIC



A-66
3,5 x 35 mm YHB
Screw

IN PACK 150 PCS
COLOR METALLIC



A-632
2,5 x 5 mm YCB PLS
Combi PCB Screw

IN PACK 300 PCS
COLOR METTALIC



A-622
M3 x 6 mm YSB Screw

IN PACK 400 PCS
COLOR METALLIC



A-656
M3 x 8 mm YSB
Screw

IN PACK 300 PCS
COLOR METALLIC



A-603
M3 x 8 mm YHB
Screw

IN PACK 500 PCS
COLOR METALLIC



A-653
M3 x 12 mm YSB Screw

IN PACK 500 PCS
COLOR METALLIC



A-648
M4 x 16 mm CSB
Stainless Screw

IN PACK 250 PCS
COLOR METALLIC



A-665
M4 x 22 mm
CSB Stainless
Screw

IN PACK 200 PCS
COLOR METALLIC

Products are partially listed above, please visit our website for other types. Contact our sales team for more details.